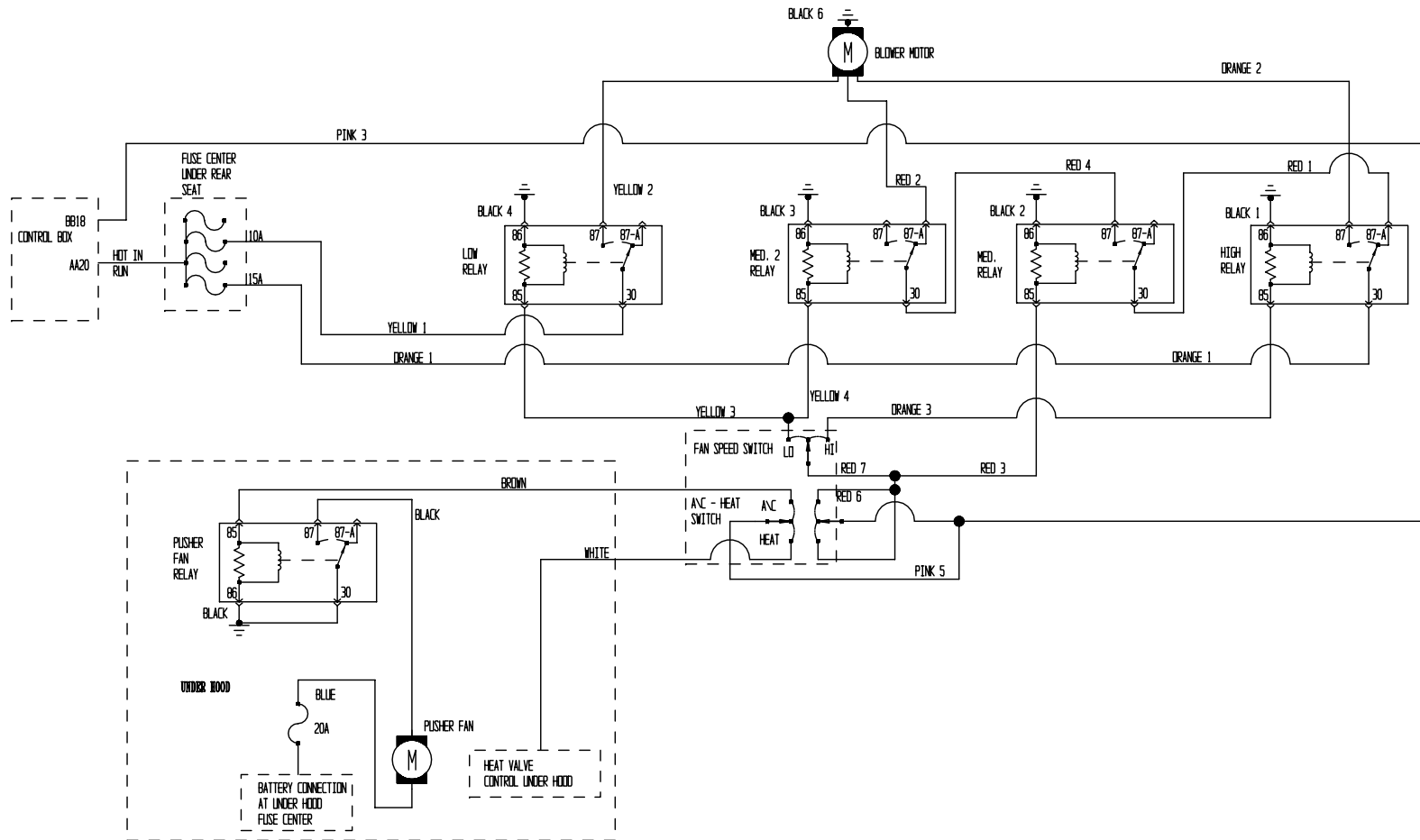


SYM.	REVISION RECORD	DATE	DR.	CK.	APP.



NO. L024458 C

ELECTRICAL SYMBOLS			
			 PARTIAL COMPONENT COMPONENT OR IT'S WIRING IS NOT SHOWN IN IT'S ENTIRETY
FLUSE	CHASSIS GROUND	SPLICE	
SINGLE POLE DOUBLE THROW RELAY	SWITCH	MOTOR	

REMARKS											
REDUCED COPY TO SHIP WITH VEHICLE											
QTY. OF FASTENERS: *						FASTENER PART #: *					
<input checked="" type="checkbox"/>	<input type="checkbox"/>	<input type="checkbox"/>	<input type="checkbox"/>	<input type="checkbox"/>	<input type="checkbox"/>	<input type="checkbox"/>	<input type="checkbox"/>	<input type="checkbox"/>	<input type="checkbox"/>	<input type="checkbox"/>	<input type="checkbox"/>
FRAME LINE	SUB FINAL	TRIM SHOP	WELD	BOLT	NUT	WASHER	SCREW	RIVET	ADHESIVE		
INSTALLATION AREA						INSTALLATION FASTENING METHOD					
<input checked="" type="checkbox"/>	<input type="checkbox"/>	<input type="checkbox"/>	<input type="checkbox"/>	<input type="checkbox"/>	<input type="checkbox"/>	<input type="checkbox"/>	<input type="checkbox"/>	<input type="checkbox"/>	<input type="checkbox"/>	<input type="checkbox"/>	<input type="checkbox"/>
NEW PART	CHANGE RECD	USE	REWORK	SCRAP	AT ONCE	NEXT RUN	NEXT BUY	CEPO	NEW MODEL		
PATTERN						STOCK DISPOSITION			EFFECTIVE		
REVISION CHANGE SYM: *						PART QTY. PER CAR: 1					
FIRST USED						DR: M. DUNBAR			DATE 3/26/04		
OPTION 1814- ALL,						SCALE CK.			DATE		
1813 - ALL						FULL APVD.			DATE		
FINISH *						STOCK SIZE *					
MATERIAL SPEC. X											
NAME SCHEMATIC -MANEX MID MOUNT AC - HEAT											
ECR4806						PART NO. L024458			C		