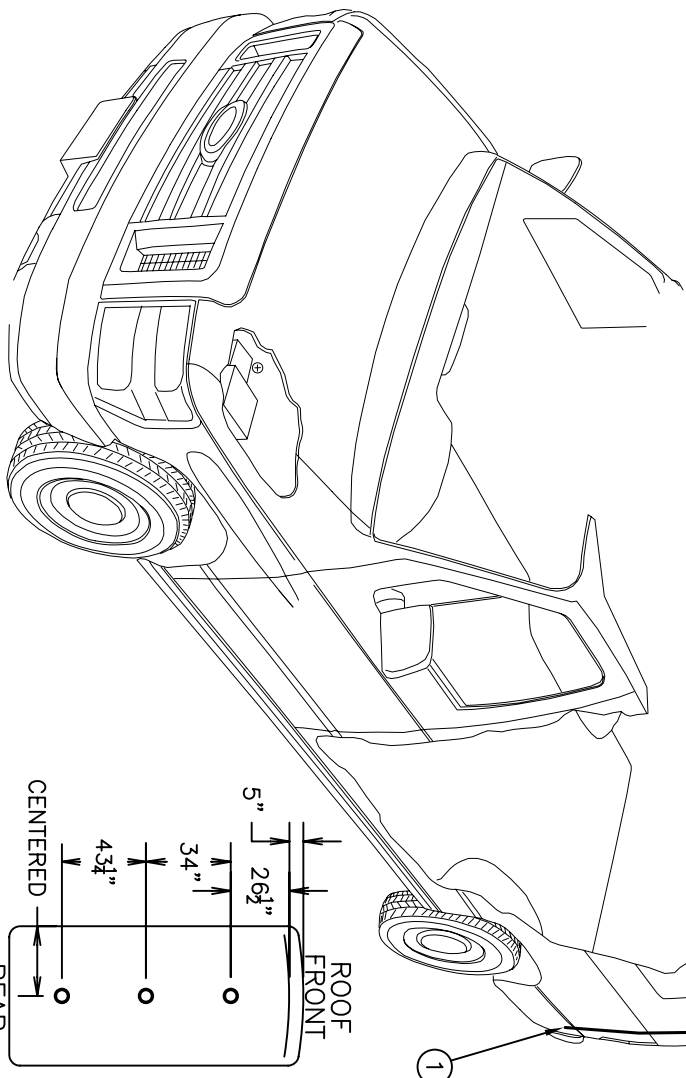
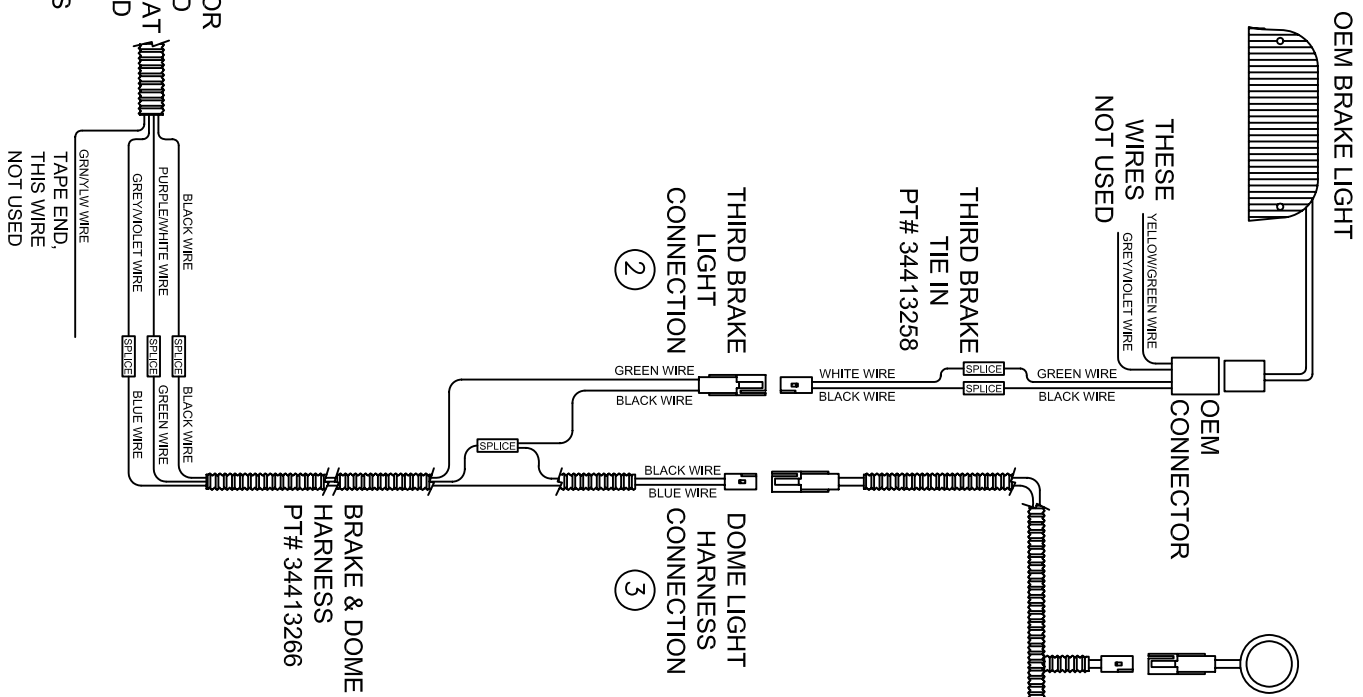


PART# E50025		ECN	NAME
REV	DESCRIPTION	DATE	
-	-	-	-



CIRCUIT ITEMS	ITEM #	QTY	WIRE SIZE/COLOR	CALC. AMP	ACTUAL AMP
OEM CONNECTION	1	1	16 GA. BLACK, GREEN, & BLUE	-	-
THIRD BRAKE CONNECTIONS	2	1	16 GA. GREEN & BLACK	-	-
DOMES LIGHT HARNESS CONNECTION	3	1	16 GA. BLACK & BLUE	-	-



THIS PRINT IS LOANED ON A CONFIDENTIAL BASIS. SUBJECT TO RETURN UPON DEMAND BY ACCUBUILT AND NOTHING HEREIN MAY BE REPRODUCED, USED OR DISCLOSED IN WHOLE OR IN PART WITHOUT THE PRIOR WRITTEN PERMISSION OF ACCUBUILT.

1 PLACE: ± 0.1  
2 PLACE: ± 0.06  
3 PLACE: ± 0.031  
ANGLES: ± 1.0°

DO NOT SCALE DRAWING. ALL DIMENSIONS SHALL BE AS SHOWN UNLESS OTHERWISE NOTED.

SCALE: NTS  
DRAWN BY: SDG  
CHECKED: -

DATE: 12/11/08

CHASSIS TITLE: THIRD BRAKE AND DOME LIGHT LAYOUT FOR APD  
PART NO. E50025

MODEL YEAR: 2009

REF: -

SHEET SIZE: A

SHT NO. -

TOLERANCE UNLESS NOTED