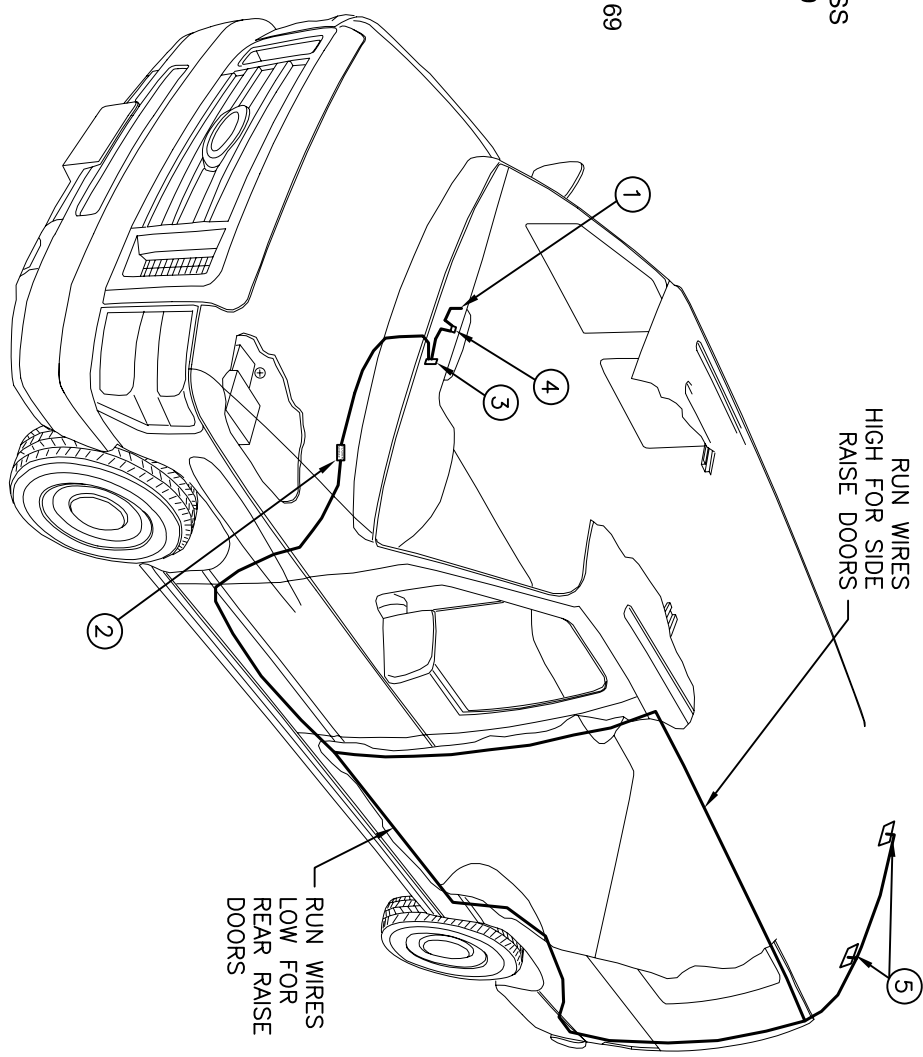


PART# E50027		ECN	NAME
REV	DESCRIPTION	DATE	
-	-	-	-

RUN WIRES HIGH FOR SIDE RAISE DOORS

RUN WIRES LOW FOR REAR RAISE DOORS



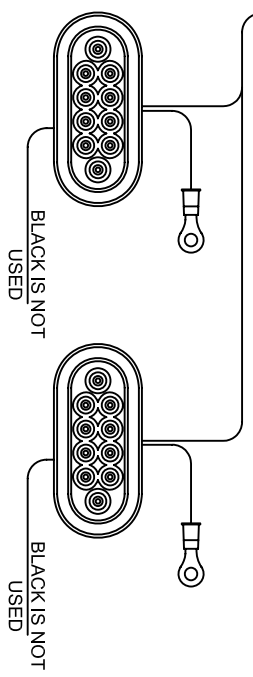
TO POWER POINT #1 UNDER DASH (12V) POWER PLUG (1)

FUSE HARNESS PT# TUS00589 (4)

FLASHER PT# 34115585 (2)

SWITCH PT# 34115169 (3)

REAR FLASHING LIGHT HARNESS PT# 3447212



REAR AMBER FLASHING LIGHTS PT# 34115582 & 34115583 (5)

CIRCUIT ITEMS	ITEM #	QTY	WIRE SIZE/COLOR	CALC. AMP	ACTUAL AMP
POWER POINT	1	1	-	-	-
FLASHER MODULE	2	1	-	-	-
SWITCH	3	1	-	-	-
5 AMP FUSE	4	1	-	-	-
LED LIGHT	5	2	-	-	-



THIS PRINT IS LOANED ON A CONFIDENTIAL BASIS. SUBJECT TO RETURN UPON DEMAND BY ACCUBUILT AND NOTHING HEREIN MAY BE REPRODUCED, USED OR DISCLOSED IN WHOLE OR IN PART WITHOUT THE PRIOR WRITTEN PERMISSION OF ACCUBUILT.

TOLERANCE UNLESS NOTED  
 1 PLACE: ± 0.1  
 2 PLACE: ± 0.06  
 3 PLACE: ± 0.031  
 ANGLES: ± 1.0°  
 DO NOT SCALE DRAWING. ALL DIMENSIONS ARE UNLESS OTHERWISE NOTED.

SCALE: NTS  
 DRAWN BY: SDG  
 CHECKED: -  
 DATE: 12/12/08

CHASSIS: FORD COMMERCIAL E-SERIES  
 TITLE: REAR LED FLASHING AMBER LIGHTS  
 PART NO.: E50027

REF: -

MODEL YEAR: 2009  
 SHEET SIZE: A  
 SHT NO.: -