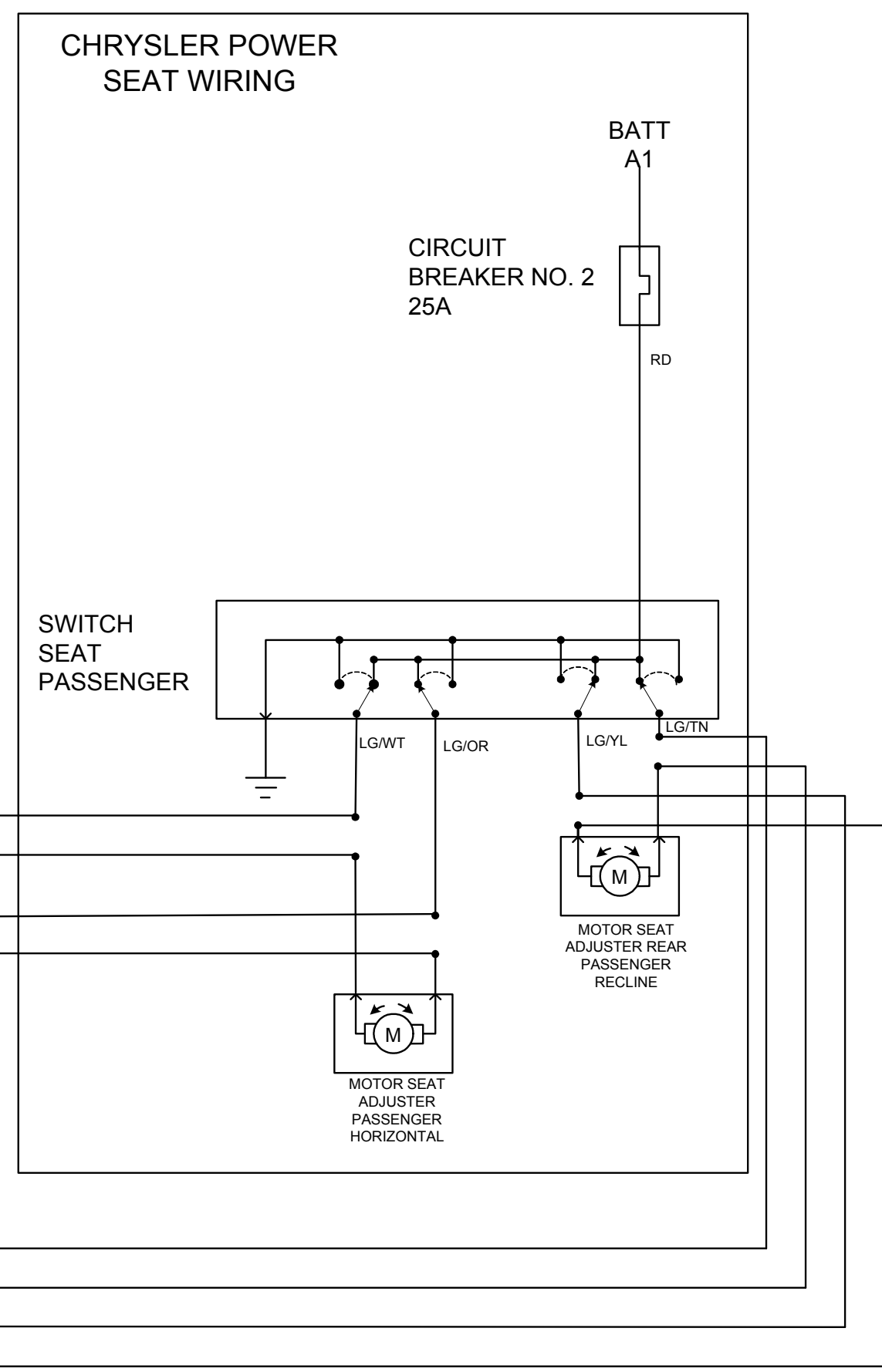
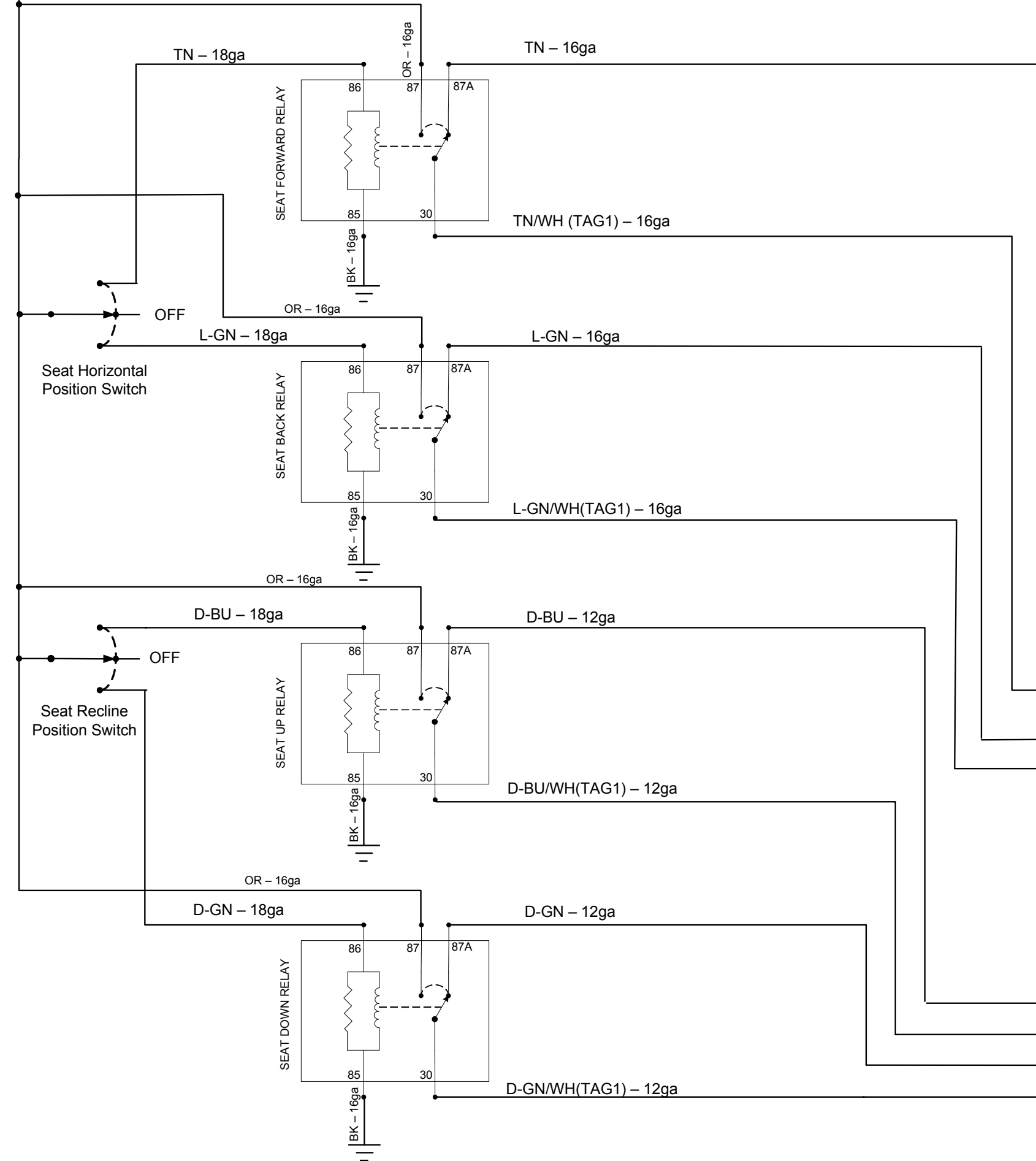
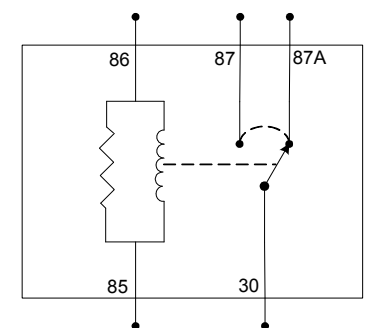


BATT

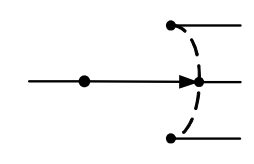
IN-LINE
10A



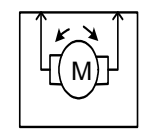
ELECTRICAL SYMBOLS



SINGLE POLE DOUBLE
THROW RELAY



MOMENTARY ON-OFF-ON
SWITCH



DC MOTOR

PROPRIETARY AND CONFIDENTIAL
THE INFORMATION CONTAINED IN THIS
DRAWING IS THE SOLE PROPERTY OF
<INSERT COMPANY NAME HERE>. ANY
REPRODUCTION IN PART OR AS A WHOLE
WITHOUT THE WRITTEN PERMISSION OF
<INSERT COMPANY NAME HERE> IS
PROHIBITED.

		UNLESS OTHERWISE SPECIFIED:	NAME	DATE
		DIMENSIONS ARE IN INCHES	DRAWN	
		TOLERANCES:	CHECKED	
		FRACTIONAL ±	ENG APPR.	
		ANGULAR: MACH ± BEND ±	MFG APPR.	
		TWO PLACE DECIMAL ±		
		THREE PLACE DECIMAL ±		
		INTERPRET GEOMETRIC TOLERANCING PER:	Q.A.	
		MATERIAL	COMMENTS:	
NEXT ASSY	USED ON	FINISH		
		DO NOT SCALE DRAWING		

TITLE:		
SCHEMATIC: CHRYSLER WRITING TABLE		
SIZE	DWG. NO.	REV
C	LO24524	
SCALE: 1:1	WEIGHT:	SHEET 1 OF 1